

▶ More options, less limitations



INOR

▶ TRA-C40 and TRA-C50 Compact temperature sensors for modularity and flexibility

You now have new options for installations with harsh conditions and limited space. TRA-C40 and TRA-C50 are Pt100-sensors designed for the most demanding applications.

The flexible sensors are available in several lengths and diameters, by bending they can be customized to fit even in the most challenging areas.



TRA-C50

TRA-C40

Easy to install and maintain

The modular concept allows the TRA-C40 and TRA-C50 sensors to be installed independent from the transmitter installation. Future maintenance on either the sensor or transmitter can easily be done by disconnecting the M12 connectors.

Technical details

	TRA-C40	TRA-C50
Input	4-wire Pt100 cl. A IEC 60751, $\alpha=0.00385$ (other classes are available on request)	
Measuring range	-30...+350°C	-50...+120°C
Ambient temperature	Up to +90 °C	
Response time (63%)	< 5 seconds	
Material	EN 1.4404 / AISI 316L	
Enclosure class	IP67	
Process connection	M12x1, 4-pin	
Min. bending radius	Three times the sensor diameter*	N/A

* Starting 30mm from the sensor tip

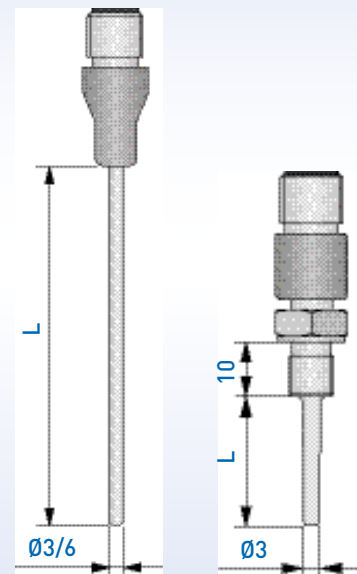
Ordering information TRA-C40

Dimensions	Part No.
Ø3x100 mm	4004650101
Ø3x150 mm	4004650102
Ø3x250 mm	4004650103
Ø3x350 mm	4004650104
Ø6x100 mm	4004650201
Ø6x150 mm	4004650202
Ø6x250 mm	4004650203
Ø6x350 mm	4004650204

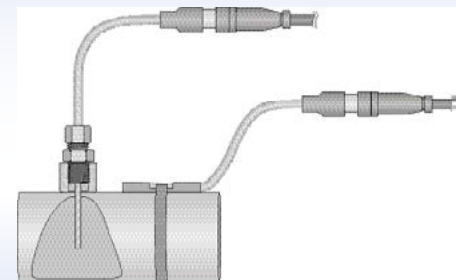
Ordering information TRA-C50

Dimensions	Part No.
Ø3x13 mm G1/8"	4004659901
Ø3x24 mm G1/8"	4004659902

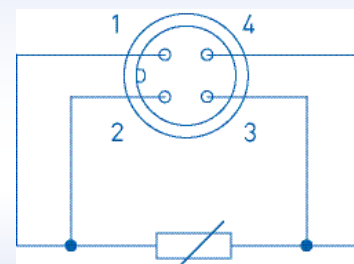
Dimensions (mm)



Installation examples with accessories



Output connection



Contact

Inor Process AB
P.O. Box 9125
SE-200 39 Malmö
Sweden
Tel.: +46 40 312 560
Fax: +46 40 312 570
sales@inor.se