



OPTIBAR LC 1010 C Handbook

Submersible level probe with ceramic measuring cell

2-wire 4...20 mA

2-wire 4...20 mA and 3-wire Pt100

All rights reserved. It is prohibited to reproduce this documentation, or any part thereof, without the prior written authorisation of KROHNE Messtechnik GmbH.

Subject to change without notice.

Copyright 2016 by
KROHNE Messtechnik GmbH - Ludwig-Krohne-Str. 5 - 47058 Duisburg (Germany)

1	Safety instructions	5
1.1	Intended use	5
1.2	Technical limits	5
1.3	Certification	6
1.4	Safety instructions from the manufacturer	7
1.4.1	Copyright and data protection	7
1.4.2	Disclaimer	7
1.4.3	Product liability and warranty	8
1.4.4	Information concerning the documentation	8
1.4.5	Warnings and symbols used	9
1.5	Safety instructions for the operator	9
2	Device description	10
2.1	Scope of delivery	10
2.2	Nameplate	11
3	Installation	12
3.1	General notes on installation	12
3.2	Installation specifications	12
3.3	Mounting	13
4	Electrical connections	15
4.1	Safety instructions	15
4.2	Electrical connection diagram	15
4.3	Cut the suspension cable	17
5	Service	18
5.1	Troubleshooting	18
5.2	Maintenance	18
5.3	Recalibration	18
5.4	Spare parts availability	19
5.5	Availability of services	19
5.6	Repairs	19
5.7	Returning the device to the manufacturer	19
5.7.1	General information	19
5.7.2	Form (for copying) to accompany a returned device	20
5.8	Disposal	20
6	Technical data	21
6.1	Technical data	21
6.2	Dimensions and weights	24
6.3	Measuring ranges	25

7 Notes

26

1.1 Intended use

**CAUTION!**

Responsibility for the use of the measuring devices with regard to suitability, intended use and corrosion resistance of the used materials against the measured fluid lies solely with the operator.

**INFORMATION!**

This device is a Group 1, Class A device as specified within CISPR11:2009. It is intended for use in industrial environment. There may be potential difficulties in ensuring electromagnetic compatibility in other environments, due to conducted as well as radiated disturbances.

**INFORMATION!**

The manufacturer is not liable for any damage resulting from improper use or use for other than the intended purpose.

The OPTIBAR LC 1010 C pressure transmitter is designed for the level measurement and gauge measurement of liquids.

1.2 Technical limits

The device was constructed solely for use within the technical limits indicated on the nameplate and in the technical data. Applications outside of these limits are not permitted and could lead to significant risk of accident. For this reason, observe the following limits:

- Do not exceed the maximum working pressure (MWP).
- Do not exceed the indicated permissible operating temperature range.
- The permissible ambient temperatures given may not be exceeded or undershot.
- Observe the ingress protection of the housing during use.

1.3 Certification

CE marking

The device fulfils the statutory requirements of the following EC directives:

- EMC Directive 2004/108/EC (valid until 2016/04/19) or
EMC Directive 2014/30/EU (valid from 2016/04/20)
- EMC specification acc. to EN 61326/A1

The manufacturer certifies successful testing of the product by applying the CE marking.

Pressure Equipment Directive PED

Devices with a permissible pressure $PS \leq 200$ bar (20 MPa) comply with Article 3 Section (3) and are not subject to a conformity assessment. These devices were designed and manufactured in accordance with sound engineering practice (SEP).

The CE marking on the device does not apply to the pressure equipment directive.



DANGER!

For devices used in hazardous areas, additional safety notes apply; please refer to the Ex documentation.

1.4 Safety instructions from the manufacturer

1.4.1 Copyright and data protection

The contents of this document have been created with great care. Nevertheless, we provide no guarantee that the contents are correct, complete or up-to-date.

The contents and works in this document are subject to copyright. Contributions from third parties are identified as such. Reproduction, processing, dissemination and any type of use beyond what is permitted under copyright requires written authorisation from the respective author and/or the manufacturer.

The manufacturer tries always to observe the copyrights of others, and to draw on works created in-house or works in the public domain.

The collection of personal data (such as names, street addresses or e-mail addresses) in the manufacturer's documents is always on a voluntary basis whenever possible. Whenever feasible, it is always possible to make use of the offerings and services without providing any personal data.

We draw your attention to the fact that data transmission over the Internet (e.g. when communicating by e-mail) may involve gaps in security. It is not possible to protect such data completely against access by third parties.

We hereby expressly prohibit the use of the contact data published as part of our duty to publish an imprint for the purpose of sending us any advertising or informational materials that we have not expressly requested.

1.4.2 Disclaimer

The manufacturer will not be liable for any damage of any kind by using its product, including, but not limited to direct, indirect or incidental and consequential damages.

This disclaimer does not apply in case the manufacturer has acted on purpose or with gross negligence. In the event any applicable law does not allow such limitations on implied warranties or the exclusion of limitation of certain damages, you may, if such law applies to you, not be subject to some or all of the above disclaimer, exclusions or limitations.

Any product purchased from the manufacturer is warranted in accordance with the relevant product documentation and our Terms and Conditions of Sale.

The manufacturer reserves the right to alter the content of its documents, including this disclaimer in any way, at any time, for any reason, without prior notification, and will not be liable in any way for possible consequences of such changes.

1.4.3 Product liability and warranty

The operator shall bear responsibility for the suitability of the device for the specific purpose. The manufacturer accepts no liability for the consequences of misuse by the operator. Improper installation or operation of the devices (systems) will cause the warranty to be void. The respective "Standard Terms and Conditions" which form the basis for the sales contract shall also apply.

1.4.4 Information concerning the documentation

To prevent any injury to the user or damage to the device it is essential that you read the information in this document and observe applicable national standards, safety requirements and accident prevention regulations.

If this document is not in your native language and if you have any problems understanding the text, we advise you to contact your local office for assistance. The manufacturer can not accept responsibility for any damage or injury caused by misunderstanding of the information in this document.

This document is provided to help you establish operating conditions, which will permit safe and efficient use of this device. Special considerations and precautions are also described in the document, which appear in the form of icons as shown below.

1.4.5 Warnings and symbols used

Safety warnings are indicated by the following symbols.



DANGER!

This warning refers to the immediate danger when working with electricity.



DANGER!

This warning refers to the immediate danger of burns caused by heat or hot surfaces.



DANGER!

This warning refers to the immediate danger when using this device in a hazardous atmosphere.



DANGER!

These warnings must be observed without fail. Even partial disregard of this warning can lead to serious health problems and even death. There is also the risk of seriously damaging the device or parts of the operator's plant.



WARNING!

Disregarding this safety warning, even if only in part, poses the risk of serious health problems. There is also the risk of damaging the device or parts of the operator's plant.



CAUTION!

Disregarding these instructions can result in damage to the device or to parts of the operator's plant.



INFORMATION!

These instructions contain important information for the handling of the device.



LEGAL NOTICE!

This note contains information on statutory directives and standards.



• **HANDLING**

This symbol designates all instructions for actions to be carried out by the operator in the specified sequence.

➔ **RESULT**

This symbol refers to all important consequences of the previous actions.

1.5 Safety instructions for the operator



WARNING!

*In general, devices from the manufacturer may only be installed, commissioned, operated and maintained by properly trained and authorized personnel.
This document is provided to help you establish operating conditions, which will permit safe and efficient use of this device.*

2.1 Scope of delivery

**INFORMATION!**

Inspect the packaging carefully for damages or signs of rough handling. Report damage to the carrier and to the local office of the manufacturer.

**INFORMATION!**

Do a check of the packing list to make sure that you have all the elements given in the order.

**INFORMATION!**

Look at the device nameplate to ensure that the device is delivered according to your order. Check for the correct supply voltage printed on the nameplate.

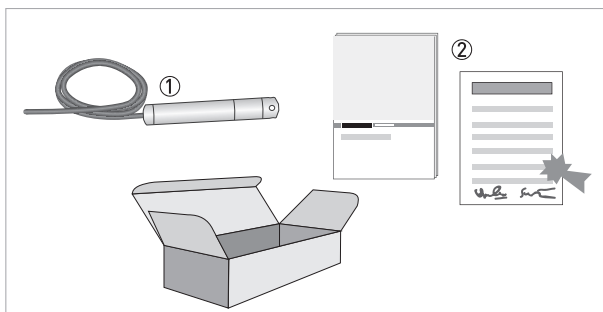


Figure 2-1: Scope of delivery

- ① Submersible level probe with suspension cable
- ② Product documentation

Optional

- Straining clamp
- Screw connection or flange with cable locking

**INFORMATION!**

Assembly materials and tools are not part of the delivery. Use the assembly materials and tools in compliance with the applicable occupational health and safety directives.

2.2 Nameplate



INFORMATION!

Look at the device nameplate to ensure that the device is delivered according to your order. Check for the correct supply voltage printed on the nameplate.

The device can be identified by its nameplate. It provides the most important data.

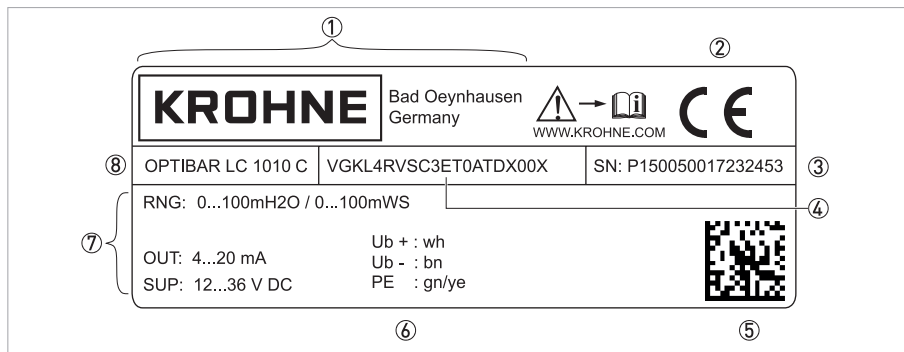


Figure 2-2: Example for a nameplate

- ① Manufacturer logo and address
- ② CE marking and other approvals (e.g. ATEX, PED,...)
- ③ Serial number
- ④ Type code
- ⑤ Barcode
- ⑥ Electrical connection diagram
- ⑦ Specifications for process conditions (measuring range, MWP [= Maximum Working Pressure] and electrical data (signal output and power supply))
- ⑧ Product name

3.1 General notes on installation

**INFORMATION!**

Inspect the packaging carefully for damages or signs of rough handling. Report damage to the carrier and to the local office of the manufacturer.

**INFORMATION!**

Do a check of the packing list to make sure that you have all the elements given in the order.

**INFORMATION!**

Look at the device nameplate to ensure that the device is delivered according to your order. Check for the correct supply voltage printed on the nameplate.

3.2 Installation specifications

**WARNING!**

Install the device only when depressurised and without power!

**DANGER!**

For installation the respective regulations for explosion protection have to be fulfilled.

**INFORMATION!**

For installations outdoor and in damp areas, the following points must be observed:

- To ensure that no moisture can get into the connector, the device should be connected electrically immediately after installation. Otherwise a moisture admission has to be prevented e.g. by using a suitable protection cap.*
- Install the device so it is protected from direct sunlight. In the worst case scenario, the permissible operating temperature will be exceeded in the presence of direct sunlight. This can negatively affect or damage the functionality of the device. In addition, it can lead to temporary measuring errors if the internal pressure of the device increases due to the sunlight.*
- When installing outside where the risk of lightning or overvoltage may exist and damage the device, we recommend installing suitable overvoltage protection between the supply device or control cabinet and the device.*

**INFORMATION!**

- *Handle this highly sensitive electronic measuring device with care, both in and out of the packaging!*
- *Only remove the packaging and any protection cap from the device immediately before installing to prevent damage to the diaphragm! Keep the supplied protection cap!*
- *A device with a gauge reference in the housing (small hole next to the electrical connection) must be installed so that the gauge reference necessary for measurement is protected from dirt and moisture. Should the pressure transmitter be exposed to fluid admission, the air pressure compensation is blocked by the gauge reference. Accurate measurement in this state is not possible. It can also result in damage to the pressure transmitter.*
- *Ensure that no mechanical stress is applied to the pressure port during installation as this may result in a shift in the characteristic curve. This applies in particular to very small pressure ranges as well as to devices with plastic pressure ports.*

3.3 Mounting

**CAUTION!**

- *Prior to installing the pressure transmitter, it is essential to verify whether the version of the device on hand completely fulfils the technical and safety requirements of the measuring point. This applies in particular to the measuring range, overpressure resistance, temperature, explosion protection and operating voltage.*
- *Check the materials used for the wetted parts (e.g. gasket, process connection, separating diaphragm etc.) for suitability as regards process compatibility.*

Mounting position

Lateral movements of the submersible level probe can cause measurement errors. For this reason, mount the submersible level probe in a calm area or in a suitable thermowell.

Pressure equalisation capillary

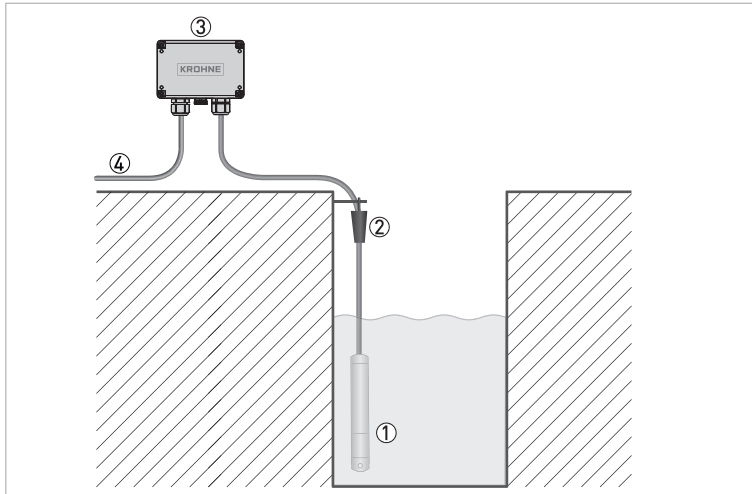


Figure 3-1: Example of a typical measuring point

- ① Submersible level probe
- ② Straining clamp
- ③ Terminal housing (OPTIBAR LC Connect)
- ④ Connection to control system

On pressure transmitters with gauge pressure, the suspension cable has a thin capillary for atmospheric pressure compensation. This capillary is also protected with a filter element at the end of the suspension cable. Therefore, always lead the capillary into a dry environment or a suitable terminal housing.

Mounting the straining clamp

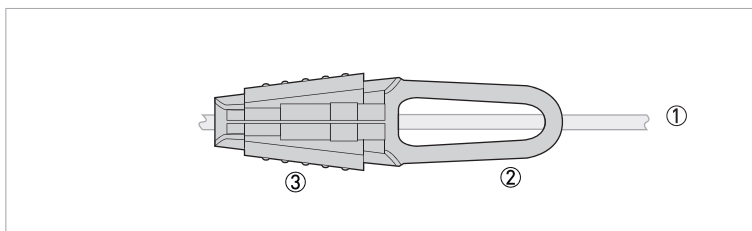


Figure 3-2: Straining clamp

- ① Suspension cable
- ② Suspension opening
- ③ Clamping jaws



Installing the straining clamp

- Hang the straining clamp on a suitable wall hook
- Lower the submersible level probe to the requested height
- Slide the clamping jaws upward and push the suspension cable between them
- Hold the suspension cable, push the clamping jaws downward and fix them with a light blow

Disassembly of the straining clamp is carried out in reverse order.

4.1 Safety instructions



DANGER!

All work on the electrical connections may only be carried out with the power disconnected. Take note of the voltage data on the nameplate!



DANGER!

Observe the national regulations for electrical installations!



DANGER!

For devices used in hazardous areas, additional safety notes apply; please refer to the Ex documentation.



WARNING!

Observe without fail the local occupational health and safety regulations. Any work done on the electrical components of the measuring device may only be carried out by properly trained specialists.



INFORMATION!

Look at the device nameplate to ensure that the device is delivered according to your order. Check for the correct supply voltage printed on the nameplate.

4.2 Electrical connection diagram

The suspension cable is already prefabricated. If the suspension cable requires shortening, the name plate must be reattached to the cable and the cable shield firmly connected to the enclosed shield clamp.

Connection of the submersible level probe to the power supply is made directly, or via the terminal housing.

Specification of electrical cables

	4...20 mA	4...20 mA with Pt100	4...20 mA with HART®
Supply +	white	white	white
Supply -	brown	brown	brown
Supply T+ (at PT 100)		yellow	
Supply T- (at PT 100)		grey	
Supply T- (at PT 100)		pink	
Shield	Yellow / green	Yellow / green	Yellow / green

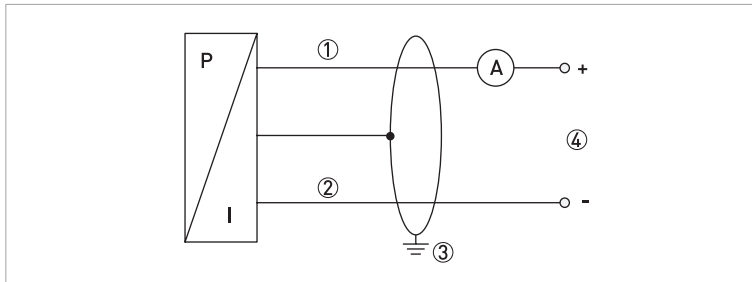


Figure 4-1: Electrical connection diagram 2-wire 4...20 mA

- ① Supply +
- ② Supply -
- ③ Shielding

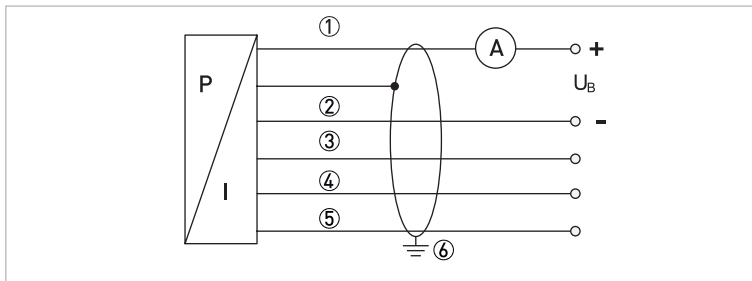


Figure 4-2: Electrical connection diagram 2-wire 4...20 mA with 3-wire Pt100

- ① Supply +
- ② Supply -
- ③ Supply Pt100 +
- ④ Supply Pt100 -
- ⑤ Supply Pt100 -
- ⑥ Shielding

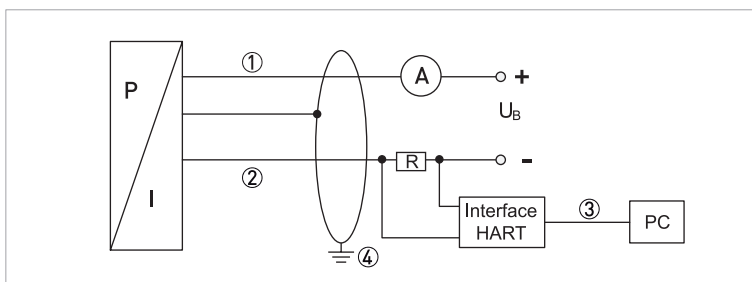


Figure 4-3: Electrical connection diagram / 4...20 mA with HART® 7

- ① Supply +
- ② Supply -
- ③ RS232 / USB
- ④ Shielding

4.3 Cut the suspension cable

**CAUTION!**

Do not squeeze the capillary cable.

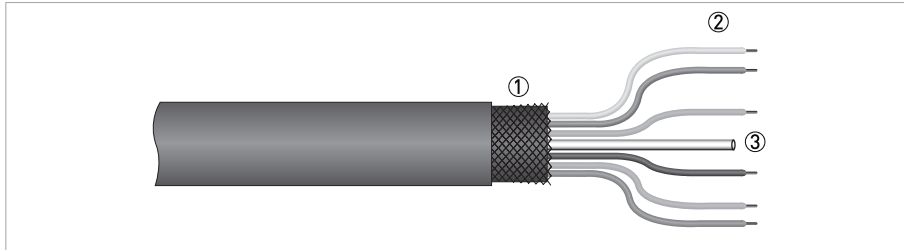


Figure 4-4: Wire assignment, suspension cable

- ① Cable screen
- ② Cables
- ③ Capillary



The suspension cable can be shortened to the desired length. Proceed as follows:

- ① Remove the filter adapter from the capillary and set it aside for later use.
- ② Cut the suspension cable to the desired length.
- ③ Remove approx. 5-7 cm of the cable mantle without damaging the cable screen.
- ④ Strip off approx. 10 mm of insulation from the ends of the wires.
- ⑤ Pull the cable screen downwards over the cable shield and use the enclosed shield clamp to fix the cable shield.
- ⑥ Then slide the filter adapter back onto the capillary.

5.1 Troubleshooting

Problem	Possible cause	Remedy
4...20 mA signal not stable	No atmospheric pressure compensation	Check the capillary and clean, if necessary Check the pressure compensation on the terminal housing and clean, if necessary.
No 4...20 mA signal	No power supply	Check cables for breaks
	Cable not correctly connected	check connection diagram
	Operating voltage is too low	check load resistance

5.2 Maintenance

In principal, the device is maintenance free. If necessary, clean the device housing when switched off using a damp cloth and a non-aggressive cleaning solution.

Depending on the product, deposits or contamination can still occur on the diaphragm. If the product has a known affinity, the operator must determine the cleaning intervals accordingly. Once the device has been properly taken out of commission, the diaphragm can be cleaned.



INFORMATION!

Improper cleaning can result in irreparable damage to the measuring cell. For this reason, never use sharp objects or compressed air to clean the diaphragm.

5.3 Recalibration

During the life cycle of the device, the offset or full-scale of the device may shift. If this occurs, note that the signal value output will deviate based on the set start or end value of the measuring range. If one of these phenomena does occur following prolonged use, recalibration is recommended to ensure continued high accuracy.

5.4 Spare parts availability

The manufacturer adheres to the basic principle that functionally adequate spare parts for each device or each important accessory part will be kept available for a period of 3 years after delivery of the last production run for the device.

This regulation only applies to spare parts which are subject to wear and tear under normal operating conditions.

5.5 Availability of services

The manufacturer offers a range of services to support the customer after expiration of the warranty. These include repair, maintenance, technical support and training.



INFORMATION!

For more precise information, please contact your local sales office.

5.6 Repairs

Repairs may be carried out exclusively by the manufacturer or the manufacturer authorised specialist companies.

5.7 Returning the device to the manufacturer

5.7.1 General information

This device has been carefully manufactured and tested. If installed and operated in accordance with these operating instructions, it will rarely present any problems.



CAUTION!

Should you nevertheless need to return a device for inspection or repair, please pay strict attention to the following points:

- *Due to statutory regulations on environmental protection and safeguarding the health and safety of the personnel, the manufacturer may only handle, test and repair returned devices that have been in contact with products without risk to personnel and environment.*
- *This means that the manufacturer can only service this device if it is accompanied by the following certificate (see next section) confirming that the device is safe to handle.*



CAUTION!

If the device has been operated with toxic, caustic, flammable or water-endangering products, you are kindly requested:

- *to check and ensure, if necessary by rinsing or neutralising, that all cavities are free from such dangerous substances,*
- *to enclose a certificate with the device confirming that it is safe to handle and stating the product used.*

5.7.2 Form (for copying) to accompany a returned device



CAUTION!

To avoid any risk for our service personnel, this form has to be accessible from outside of the packaging with the returned device.

Company:		Address:	
Department:		Name:	
Tel. no.:		Fax no. and/or Email address:	
Manufacturer's order no. or serial no.:			
The device has been operated with the following medium:			
This medium is:	<input type="checkbox"/>	radioactive	
	<input type="checkbox"/>	water-hazardous	
	<input type="checkbox"/>	toxic	
	<input type="checkbox"/>	caustic	
	<input type="checkbox"/>	flammable	
	<input type="checkbox"/>	We checked that all cavities in the device are free from such substances.	
<input type="checkbox"/>	We have flushed out and neutralized all cavities in the device.		
We hereby confirm that there is no risk to persons or the environment through any residual media contained in the device when it is returned.			
Date:		Signature:	
Stamp:			

5.8 Disposal



CAUTION!

Disposal must be carried out in accordance with legislation applicable in your country.

Separate collection of WEEE (Waste Electrical and Electronic Equipment) in the European Union:



According to the directive 2012/19/EU, the monitoring and control instruments marked with the WEEE symbol and reaching their end-of-life **must not be disposed of with other waste**.

The user must dispose of the WEEE to a designated collection point for the recycling of WEEE or send them back to our local organisation or authorised representative.

6.1 Technical data



INFORMATION!

- The following data is provided for general applications. If you require data that is more relevant to your specific application, please contact us or your local sales office.
- Additional information (certificates, special tools, software,...) and complete product documentation can be downloaded free of charge from the website (Downloadcenter).

Measuring system

Measuring principle	Capacitive ceramic measuring cell
Application range	Level measurement and gauge measurement of liquids
Measuring range	Fixed specification of 0...1 mH ₂ O to 0...100 mH ₂ O and 0...100 mbar to 0...10 bar; refer also to chapter "Measuring ranges"

Measuring accuracy

Reference conditions	Medium: air
	Temperature: ambient temperature
	Ambient pressure: 1013 mbar / 14.7 psi
	Nominal position: vertical, pressure port down
	Power supply: 24 VDC
Pressure type	Gauge pressure / absolute pressure
Reference accuracy according to IEC 60770 (terminal based) (Hysteresis, non-linearity, non-repeatability)	≤ ± 0.35% of URL ≤ ± 0.25% of URL (optional)
Ambient temperature effect on zero and span	≤ 1.0% of URL in compensated measuring range -20...+80°C
Long term stability	≤ ± 0.1% of URL within one year under reference conditions
Step response time	< 70 ms (T90)
Vacuum resistance	For further information refer to <i>Technical data</i> on page 21

Operating conditions

Temperature	
Nominal temperature	-40...+80°C / -4...+176°F
Ambient temperature	-40...+85°C / -40...+185°F
	Ex i zone 0: -20...+60°C / -4...+140°F at $p_{abs} = 0.8...1.1$ bar
	Ex i from zone 1: -25...+65°C / -4...+158°F
Storage temperature	-40...+80°C / -40...+176°F
Medium temperature	-40...+85°C / -40...+185°F
Other conditions	
Ingress protection acc. to IEC 529 / EN 60529	IP68

Installation conditions

Mounting position	Any - factory calibration carried out with pressure port down.
Dimensions	For detailed information refer to the chapter "Dimensions and weights".

Materials

Housing	Stainless steel 1.4404 / AISI 316L
	Titan (Grade 2)
Cable	TPE (-40...+80°C) blue with drinking water approvals
Measuring cell seal	EPDM (with drinking water approvals) FKM
Diaphragm	Al ₂ O ₃ 96% Al ₂ O ₃ 99.9% (optional)
Protection cap	POM
Straining clamp	Stainless steel 1.4404 / 316L, steel (galv.)
Screw connection	Stainless steel 1.4404 / 316L

Process connections

Mechanical connection variants	R 1/2" thread at rear for installation in a thermowell
	M20 thread at front for assembly of corresponding connecting sleeve

Electrical connection

Output signal	2-wire 4...20 mA, 3-wire Pt100 (optional)	
Supply voltage	4...20 mA:	U _b = 12...32 V DC
	4...20 mA with HART:	U _b = 12...32 V DC
	Ex i 4...20 mA:	U _b = 14...28 V DC
	Ex i 4...20 mA with HART:	U _b = 12...28 V DC
Safety maximum values (Ex i)	U _i = 28 V, I _i = 93 mA, P _i = 660 mW, C _i ≈ 49.2 nF, L _i ≈ 0 μH; The supply connections have a maximum internal capacity of 50 nF to the housing.	
Load	$R_{lmax} \leq (U_b - U_{bmin}) / 0.02 \text{ A [Ohm]}$	
Short circuit protection	Continuously	
Reverse polarity protection	In the event of reversed connections there is no damage but also no function.	
Ripple	0.05% of URL / 10 V	
Electrical connection	Shielded suspension cable with integrated air tube for ambient pressure referencing (for "absolute" input variable the air tube is closed)	

Approvals and certificates

CE	The device fulfils the statutory requirements of the EC directives. The manufacturer certifies that these requirements have been met by applying the CE marking.
Electromagnetic compatibility (EMC) acc. to EN 61326	EMC Directive: 2004/108/EC
	For more information consult the relevant declaration of conformity.
Pressure Equipment Directive	97/23/EC
Ex	
ATEX	Zone 0: II 1G Ex ia IIC T4 Zone 20: II 1D Ex ia IIIC T135°C Da
IECEX	Zone 0: Ex ia IIC T4 Ga Zone 20: Ex ia IIIC T135°C Da

6.2 Dimensions and weights

Submersible level probe

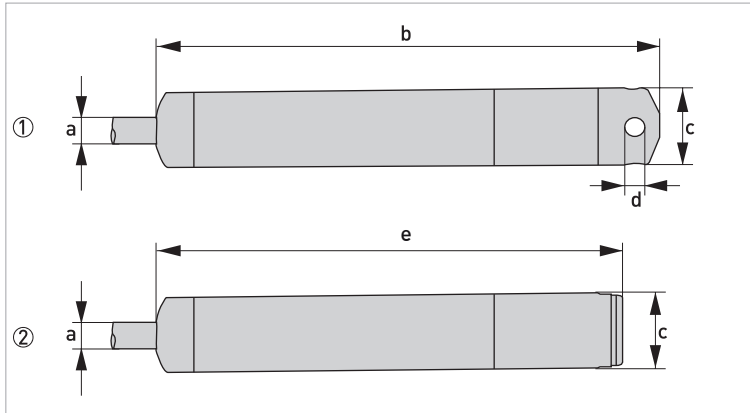


Figure 6-1: Dimensions submersible level probe

- ① Submersible level probe with protection cap
- ② Submersible level probe without protection cap

	[mm]	[inches]
a	7.4	0.29
b	146	5.75
c	Ø 22	0.87
d	4 x Ø 5	0.20
e	135.5	5.33

Weight of submersible level probe: 0.18 kg / 0.4 lbs
 Weight of suspension cable: 0.10 kg/m / 0.067 lbs/ft

Straining clamp

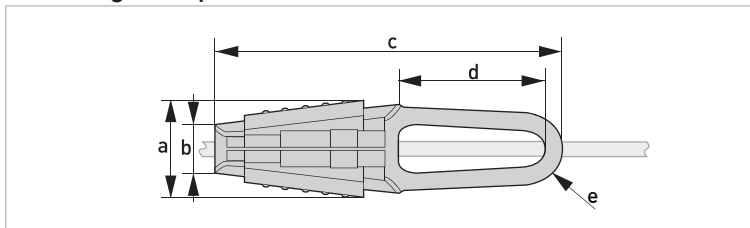


Figure 6-2: Dimensions straining clamp

	[mm]	[inches]
a	48	1.89
b	25	0.98
c	175	6.89
d	74	2.91
e	R 18	0.71

Weight of straining clamp: 0.16 kg / 0.35 lbs

Flange

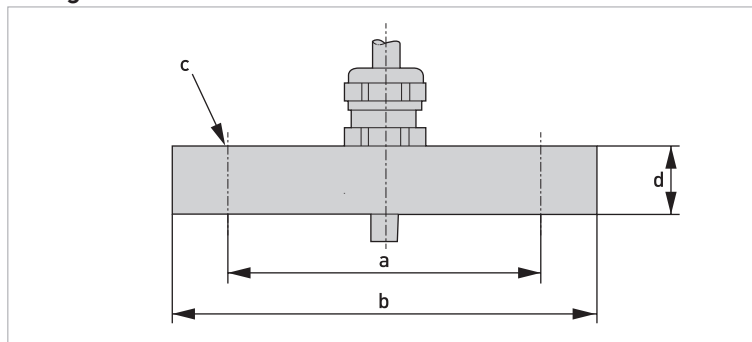


Figure 6-3: Dimensions Flange

[mm]	a	b	c	d	Weight in [kg]
DN25 / PN40	85	115	4 x Ø 14	18	1.4
DN50 / PN40	125	165	4 x Ø 18	20	3.2
DN80 / PN40	160	200	8 x Ø 18	20	4.8

[inches]	a	b	c	d	Weight in [lbs]
DN25 / PN40	3.35	4.53	0.16 x Ø 0.55	0.71	3.09
DN50 / PN40	4.92	6.5	0.16 x Ø 0.71	0.79	7.05
DN80 / PN40	6.3	7.87	0.31 x Ø 0.71	0.79	10.58

6.3 Measuring ranges

Pressure in bar

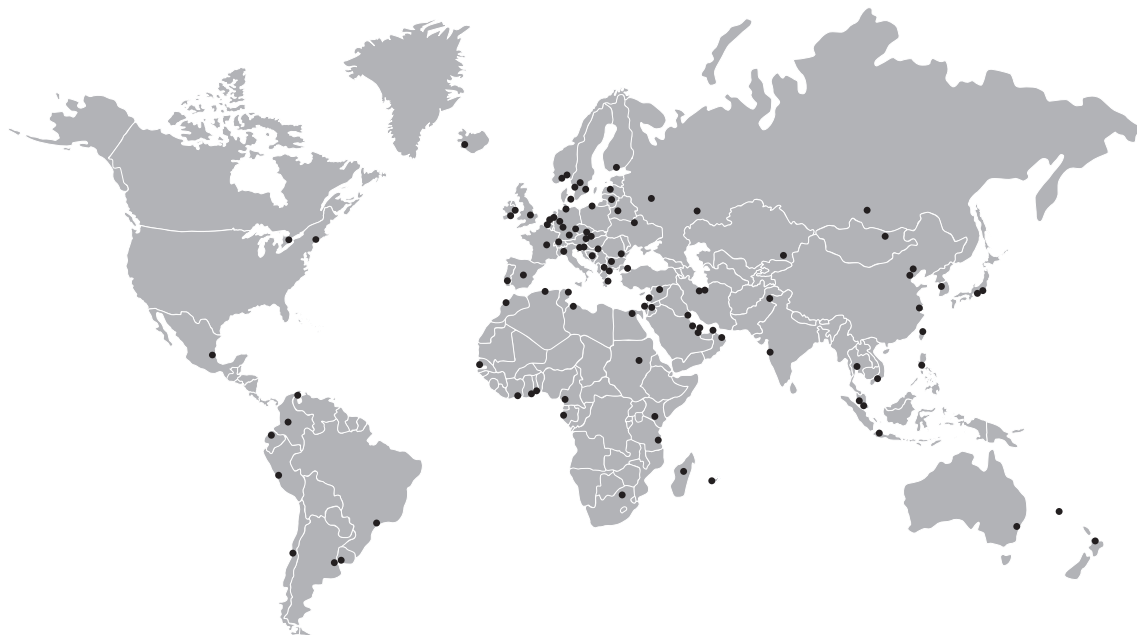
Nominal pressure (gauge/abs.)	0.1	0.2	0.3	0.4	0.6	1	1.6	2.5	4	6	10
Nominal pressure (gauge/abs.) [mH20]	1	1.6	2.5	4	6	10	16	25	40	60	100
Max. working pressure (MWP)	3	4	5	5	7	7	12	20	20	20	20
Min. Pressure (Vacuum)	-0.2	-0.3	-0.5				-1				

Pressure in psi

Nominal pressure (gauge/abs.)	1.45	2.3	3.6	5.8	8.7	14.5	23	36	58	87	145
Nominal pressure (gauge/abs.) [mH20]	14.5	23	36	58	87	145	232	363	580	870	1450
Max. working pressure (MWP)	44	58	73	73	102	102	174	290	290	290	290
Min. Pressure (Vacuum)	-2.9	-4.3	-7.3				-14.5				







KROHNE – Process instrumentation and measurement solutions

- Flow
- Level
- Temperature
- Pressure
- Process Analysis
- Services

Head Office KROHNE Messtechnik GmbH
Ludwig-Krohne-Str. 5
47058 Duisburg (Germany)
Tel.: +49 203 301 0
Fax: +49 203 301 10389
info@krohne.com

The current list of all KROHNE contacts and addresses can be found at:
www.krohne.com

KROHNE